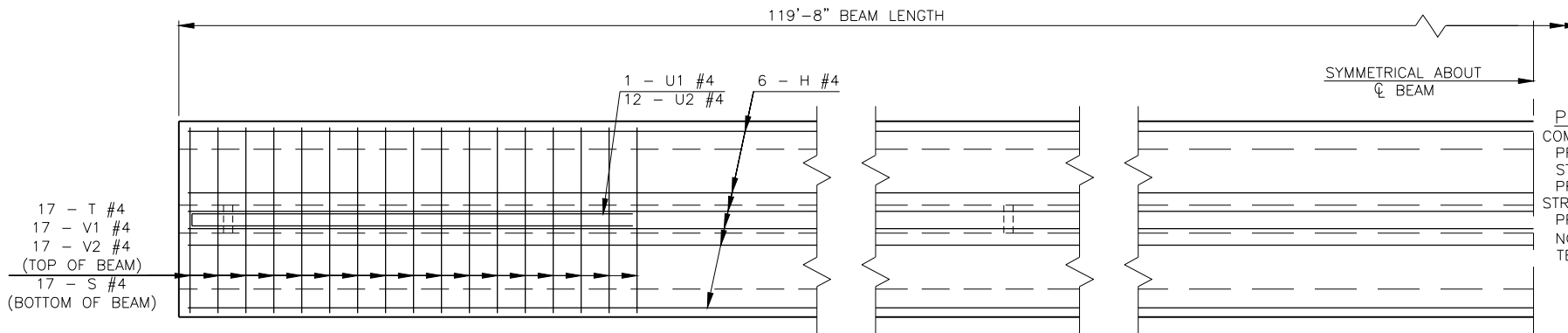
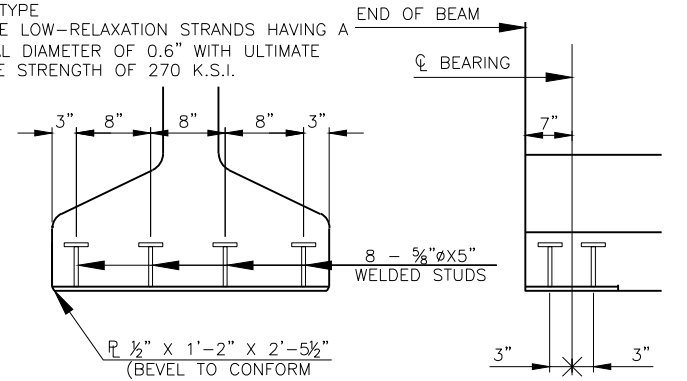


DESCRIPTION	REVISIONS	DATE



PLAN

PRESTRESSED CONCRETE BEAM NOTES
 COMPRESSIVE STRENGTH
 PROVIDE CONCRETE WITH A COMPRESSIVE STRENGTH OF 6,300 P.S.I. AT TRANSFER OF PRESTRESS AND 9,000 P.S.I. AT 28 DAYS.
 STRAND TYPE
 PROVIDE LOW-RELAXATION STRANDS HAVING A NOMINAL DIAMETER OF 0.6" WITH ULTIMATE TENSILE STRENGTH OF 270 K.S.I.

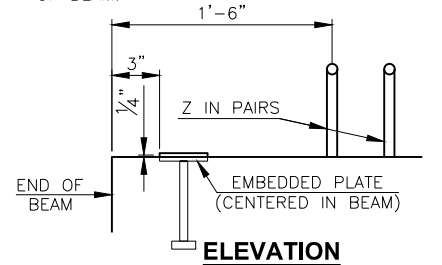


END VIEW

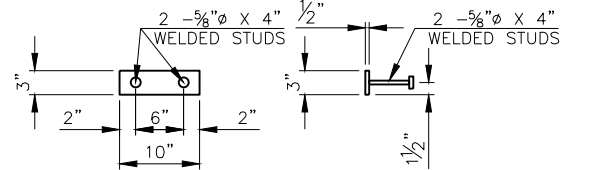
ELEVATION

EMBEDDED SOLE PLATE DETAILS

NOTE:
 PROVIDE AN EMBEDDED SOLE PLATE AT EACH END OF BEAM.



ELEVATION

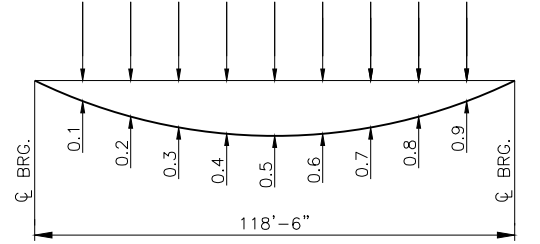


TOP VIEW

END VIEW

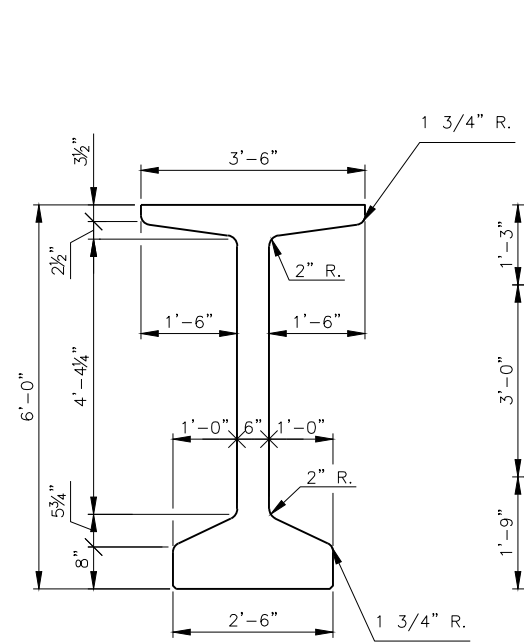
EMBEDDED BEAM PLATE DETAILS

NOTE:
 PROVIDE AN EMBEDDED BEAM PLATE AT EXPANSION ENDS ONLY.

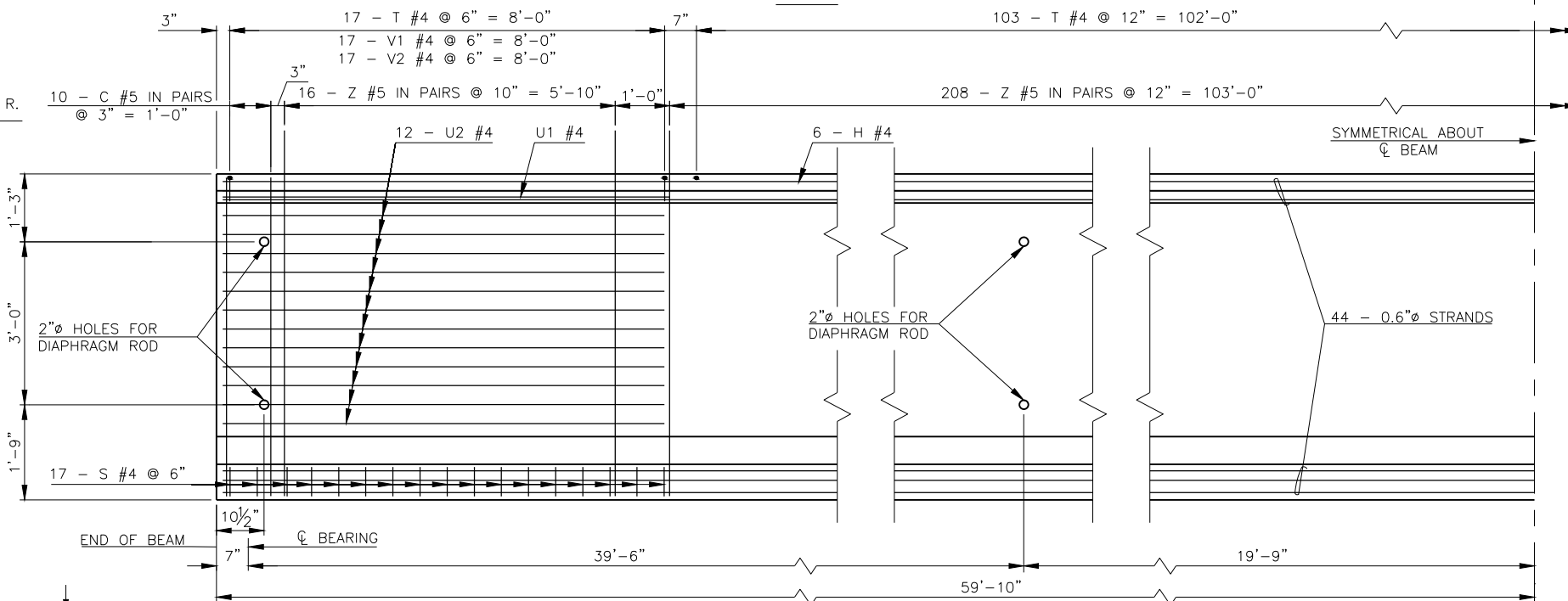


DEAD LOAD DEFLECTION DIAGRAM

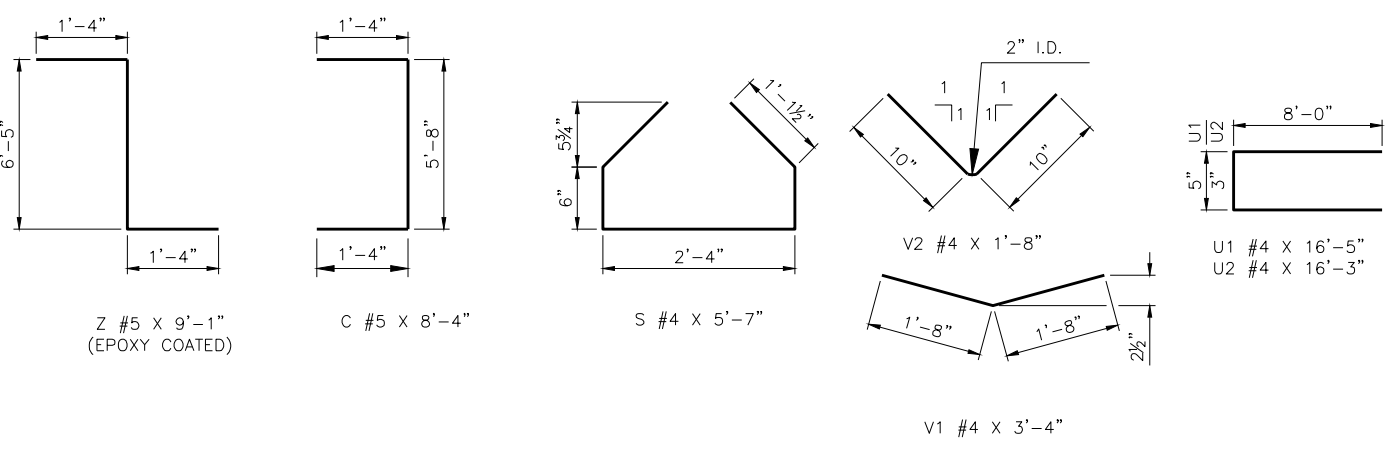
NOTE:
 FOR INTENTIONALLY ROUGHENED SURFACE DETAILS, SEE SHEET 51.



END VIEW



ELEVATION



BEAM SECTIONS
 (44 - 0.6" STRANDS)

DEAD LOAD DEFLECTION SCHEDULE AT TENTH POINTS												
BEAM LINE	LOAD	CL. BRG.	0.1	0.2	0.3	0.4	0.5	0.6	0.7	0.8	0.9	CL. BRG.
1&5	1	0.00"	0.48"	0.93"	1.28"	1.50"	1.58"	1.50"	1.28"	0.93"	0.48"	0.00"
2-4	1	0.00"	0.52"	1.02"	1.41"	1.66"	1.74"	1.66"	1.41"	1.02"	0.52"	0.00"

1 DECK SLAB, DIAPHRAGMS, HAUNCH AND CONCRETE TRAFFIC RAIL. DOES NOT INCLUDE BEAM WEIGHT OR FUTURE WEARING SURFACE.

DESIGN	B.J.K.	SH-48 OVER CIMARRON RIVER	CREEK COUNTY
DRAWN	B.M.S.	BEAM DETAILS (SPAN 3-7)	
CHECKED	M.R.S.		
APPROV.	B.J.K.		
SQUAD	CEC		
		JOB PIECE NO. 27925(04)	SHEET NO. 52